

Feedthroughs

ISO-KF, ISO-K, CF

Contents

Feedthroughs

Products

Feedthroughs	4
Current Feedthroughs	4
High Current Feedthroughs	8
Rotary Feedthroughs	10
Liquid Feedthroughs	11
Rotary / Linear Motion Feedthroughs	12
CF Feedthroughs	14
Linear Motion Mechanical Feedthroughs	14
Current Feedthroughs	16
Accessories for Feedthroughs	18
Connectors, vacuum side	18
Connectors, atmospheric side	19

Feedthroughs

Current Feedthroughs

General

Current feedthroughs for vacuum applications, as well as their corresponding connectors, comply with the German VDE Regulations 0100, 0660 and 0110 Section 1. The latter refers to air gaps and leakage paths.

- All current feedthroughs are tested according to VDE Regulations

Important

The special regional safety regulations must be observed! These may differ from the regulations which apply in Germany! The voltages stated on the following pages apply to atmospheric pressure and the right connector from Leybold. The voltage specifications apply also to that part of the feedthrough which is exposed to the vacuum, provided the pressure in these areas is less than 10^{-1} mbar (0.75×10^{-1} Torr).

At pressures over 10^{-1} mbar (0.75×10^{-1} Torr) voltage breakdowns may occur depending on the distance between the electrodes, the type of rarefied gas, the type of contamination, the distribution of the electric field, etc.

Operators are advised to check each application individually or to get in touch with Leybold for advice.

In applications where VDE regulations need not be applied, higher operating voltages are permissible. Please contact us for further information regarding your particular application.

The test and operating voltages refer to a vacuum pressure of $< 1 \times 10^{-4}$ mbar ($< 0.75 \times 10^{-4}$ mbar) and when using the connectors recommended by Leybold. Electrical power may only be applied via the external plugs.

Abbreviations used in connection with feedthroughs:

F	Feedthrough
E	Current
L	Liquid
N	Normal
P	Precision
F	Frequency
HC	Current
HV	Voltage
L	Linear
R	Rotary

Current Feedthroughs

Technical Data

FE 16 / 9S

FE 16 / 9

Vacuum connection	DN	16 ISO-KF	16 ISO-KF
Number of feedthroughs		9	9
Voltage per pole ¹⁾	V	50	50
Current per pole ¹⁾	A	2	2
Connection			
Vacuum side		solder connection	connector
Air side		connector	connector
Diameter of connecting wire	mm (in.)	0.8 (0.03) / 1.2 (0.05)	-
Test voltage	V / Hz	1 x 10 ⁻⁹	1 x 10 ⁻⁹
Pressure (absolute)		1 x 10 ⁻⁸ mbar to 2.5 bar (0.75 x 10 ⁻⁸ Torr to 1875 Torr)	1 x 10 ⁻⁸ mbar to 2.5 bar (0.75 x 10 ⁻⁸ Torr to 1875 Torr)
Bakeout temperature (feedthrough, connector)	°C (°F)	130 (266)	130 (266)
Housing		Stainless steel	Stainless steel
Insulator		PEEK / Araldit	PEEK / Araldit
Seal		FPM (FKM)	FPM (FKM)
Contact (feedthrough, connector)		gold-plated brass	gold-plated brass

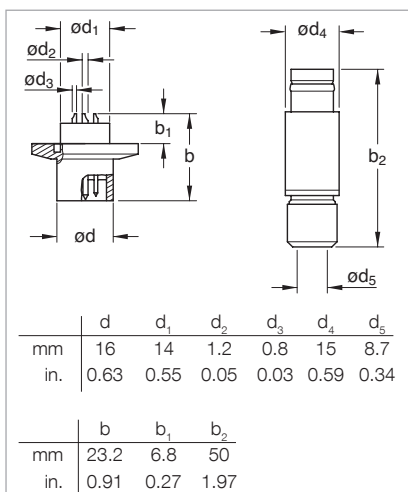
Ordering Information

FE 16 / 9S

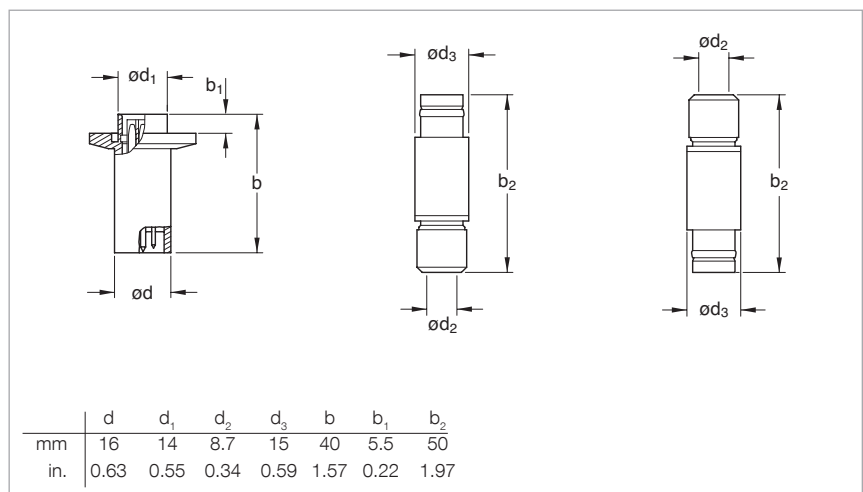
FE 16 / 9

	Part No.	Part No.
Current feedthroughs	210 302	210 304
Connector: vacuum side	-	210 305
Connector: air side	210 303	210 303

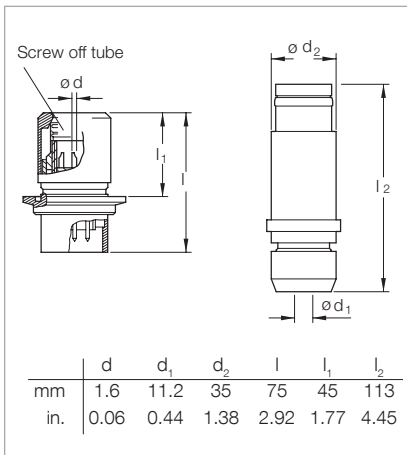
¹⁾ Local regulations concerning use must be followed



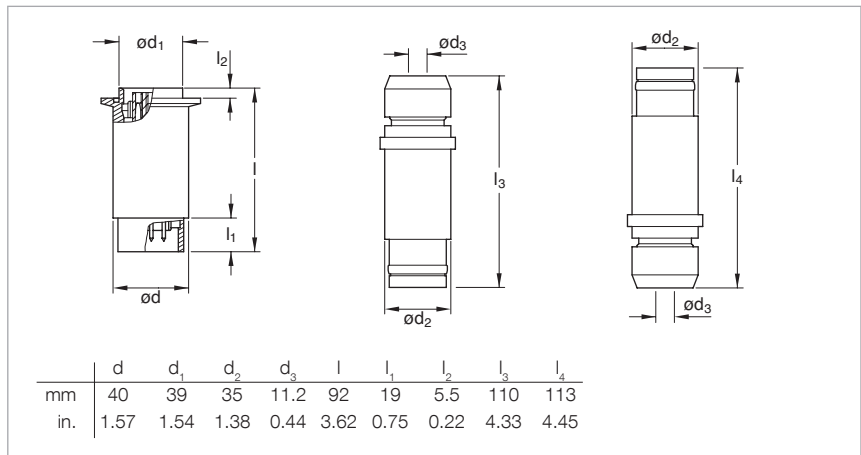
Dimensional drawing for the feedthrough FE 16/9S (left) and the connector for air side (right)



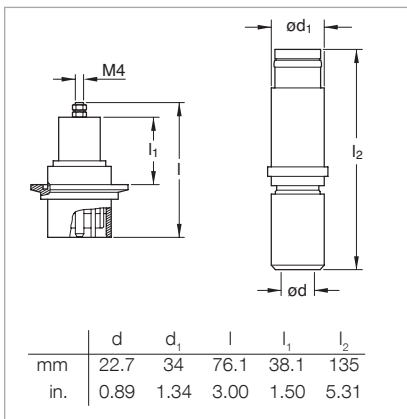
Dimensional drawing for the feedthrough FE 16/9 (left), the connector for vacuum side (middle) and the connector for air side (right)



Dimensional drawing for the feedthrough FE 40/7S (left) and the connector for air side (right)



Dimensional drawing for the feedthrough FE 40/7 (left), the connector for vacuum side (middle) and the connector for air side (right)



Dimensional drawing for the feedthrough FEHV 40/1 (left) and the connector for air side (right)



Technical Data**FE 40 / 7S****FE 40 / 7****FEHV 40 / 1**

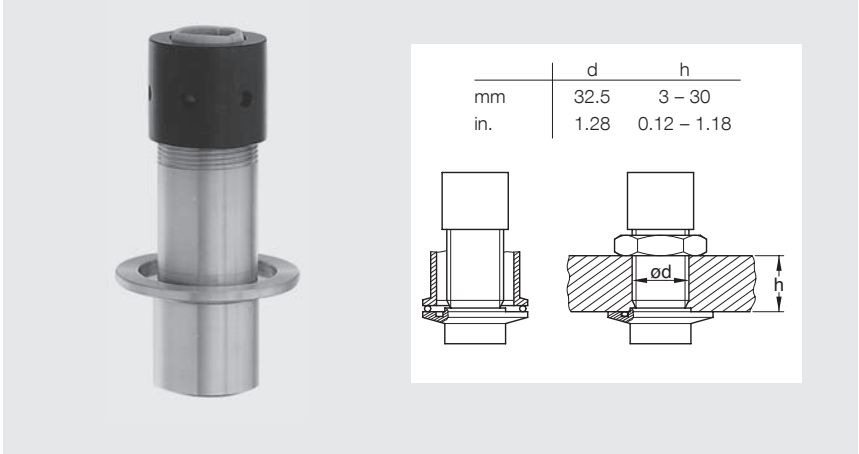
Vacuum connection	DN	40 ISO-KF	40 ISO-KF	40 ISO-KF
Number of feedthroughs		7	7	1
Voltage per pole ¹⁾	V	380	380	6000
Current per pole ¹⁾	A	16	16	25
Connection				
Vacuum side		solder connection	connector	screw coupling
Air side		connector	connector	connector
Diameter of connecting wire	mm (in.)	dia. 1.8 (0.07)	–	–
Test voltage	kV / Hz	–	–	15 / 50
Tightness	mbar x l/s	1 x 10 ⁻⁹	1 x 10 ⁻⁹	1 x 10 ⁻⁹
Pressure (absolute)		1 x 10 ⁻⁸ mbar x l/s to 2.5 bar	1 x 10 ⁻⁸ mbar x l/s to 2.5 bar	1 x 10 ⁻⁸ mbar x l/s to 2.5 bar
Bakeout temperature (feedthrough, connector)	°C (°F)	130 (266)	130 (266)	130 (266)
Housing		chrom-plated steel	chrom-plated steel	chrom-plated steel
Insulator		PTFE / Araldit	PTFE / Araldit	PTFE
Seal		FPM (FKM)	FPM (FKM)	FPM (FKM)
Contact (feedthrough, connector)		gold-plated stainless steel	gold-plated stainless steel	nickel-plated brass

Ordering Information**FE 40 / 7S****FE 40 / 7****FEHV 40 / 1**

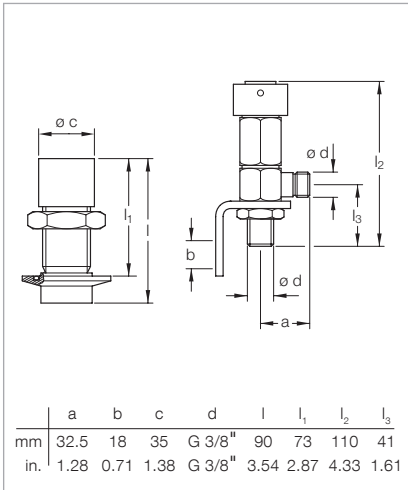
	Part No.	Part No.	Part No.
Current feedthroughs	210 325	210 326	210 350
Connector: vacuum side	–	210 328	–
Connector: air side	210 327	210 327	210 351

¹⁾ Local regulations concerning use must be followed

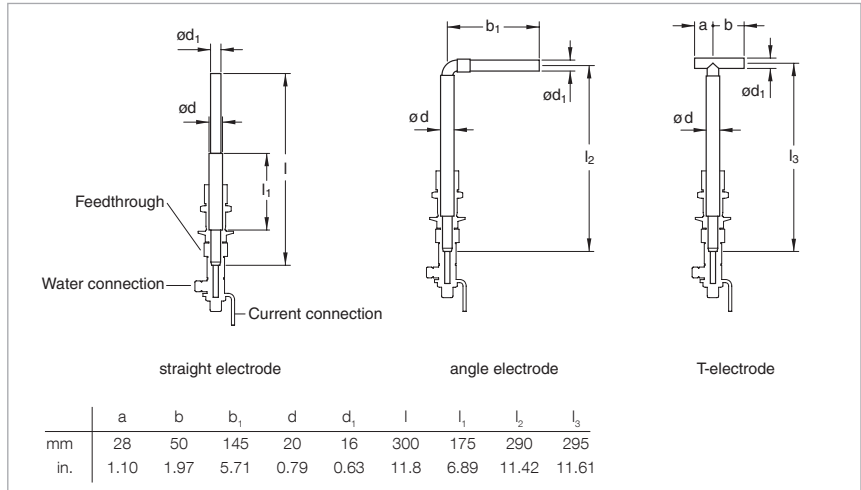
High Current Feedthroughs



- Selection of electrodes
- Slide into mounted feedthrough
- Current connection with water cooling



Dimensional drawing for the feedthrough FEHC 40/1 (left) and current connection with water cooling (right)



Dimensional drawings for the copper electrodes for the feedthrough FEHC 40/1

Technical Data**FEHC 40/1**

Vacuum connection	DN	40 ISO-KF
Number of feedthroughs		1
Voltage	V	50
Current	A	250
with water cooling	A	1500
Tightness	mbar x l/s	1×10^{-9}
Pressure (absolute)		1×10^{-8} mbar to 2.5 bar (max. 10 bar with external centering ring)
Bakeout temperature	°C (°F)	110 (230)
Housing		aluminum
Insulator		thermoplast and thermoset
Seal		FPM (FKM)

Ordering Information**FEHC 40/1**

	Part No.
High current feedthroughs	210 352
Current connection with water cooling ¹⁾	210 356
Straight electrode	210 353
Angle electrode	210 354
T-electrode	210 355

¹⁾ Not insulated

Rotary Feedthroughs

- ISO-KF / ISO-K
- For transmitting high torque
- With FPM (FKM) shaft seal and ball bearings

Technical Data

FR 25/50 N

FR 63/100 N

Vacuum connection	DN	25 ISO-KF	63 ISO-K
Feedthrough / seal		FPM (FKM)	FPM (FKM)
Shaft connection	mm (in.)	dia. 8 (0.31)	dia. 20 (0.79)
Transferable torque	Nm	6	100
Rotational speed ¹⁾	1/min	1000	500
Shaft load			
Radial	N	150	500
Axial	N	50	100
Service life (revolutions)		20 000 000	10 000 000
Tightness, static	mbar x l/s	1 x 10 ⁻⁹	1 x 10 ⁻⁹
Pressure (absolute)		1 x 10 ⁻⁹ mbar to 1 bar	1 x 10 ⁻⁹ mbar to 1 bar
Operating temperature, max.	°C (°F)	50 (122)	50 (122)
Bakeout temperature	°C (°F)	110 (230)	110 (230)
Materials exposed to process media		Stainless steel, aluminum, FPM (FKM)	Stainless steel, aluminum, FPM (FKM)
Weight	kg (lbs)	0.2 (0.44)	2 (4.42)

Ordering Information

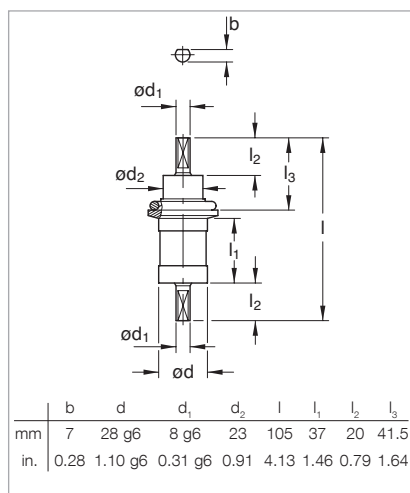
FR 25/50 N

FR 63/100 N

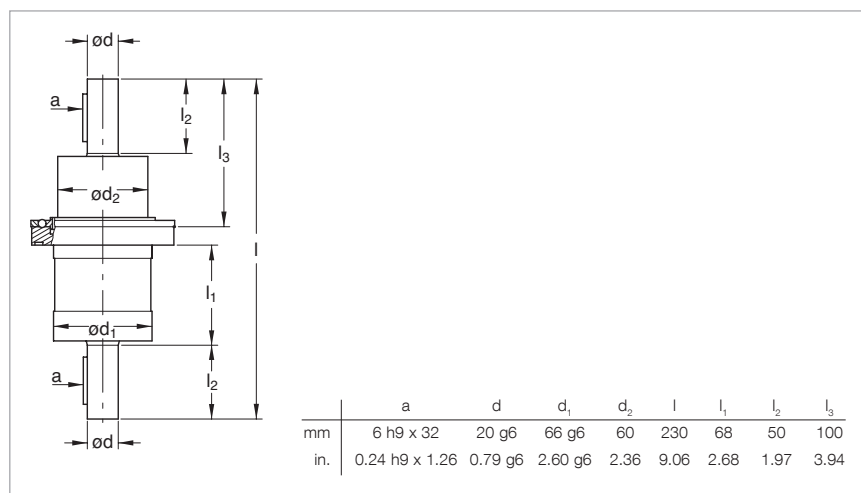
	Part No.	Part No.
Rotary feedthrough	210 151	210 153 ²⁾

¹⁾ When a reduced service life is acceptable, the rotational speed can be increased by up to a factor of two

²⁾ Centering ring, CR/aluminum Part No. 268 05, FPM (FKM)/stainless steel Part No. 887 03



Dimensional drawing
for the feedthrough FR 25/50 N



Dimensional drawing for the feedthrough FR 63/100 N

Liquid Feedthroughs

- For H₂O and LN₂
- Thermally insulated
- Especially suited for very hot and very cold applications

Technical Data

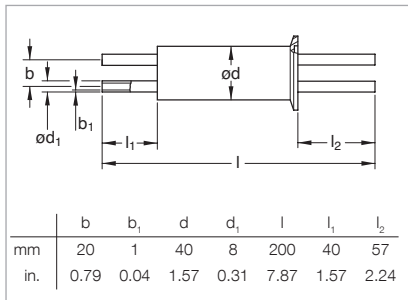
FL 40K/2

Vacuum connection	DN	40 ISO-KF
Feedthrough / seal		welded
Connection	mm (in.)	dia. 8 x 1 (0.31 x 0.04)
Number of tubes		2
Tightness	mbar x l/s	1 x 10 ⁻⁹
Pressure (absolute)		1 x 10 ⁻⁹ mbar to 2.5 bar (max. 10 bar with external centering ring)
Temperature range	°C (°F)	-200 to +150 (-328 to +302)
Material		Stainless steel
Weight	kg (lbs)	0.3 (0.66)

Ordering Information

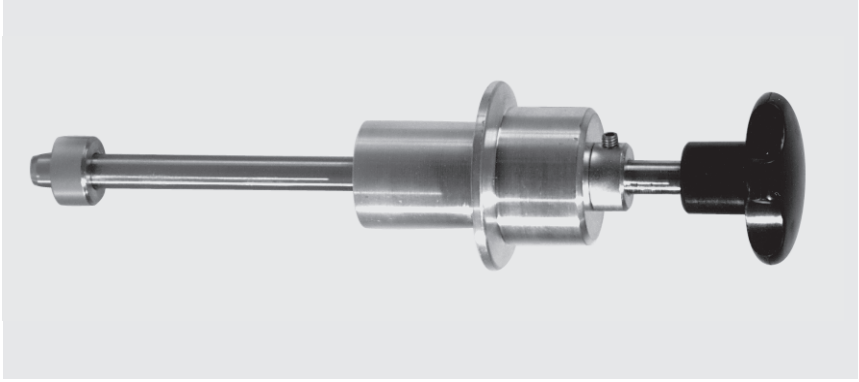
FL 40K/2

	Part No.
Liquid feedthrough	210 275

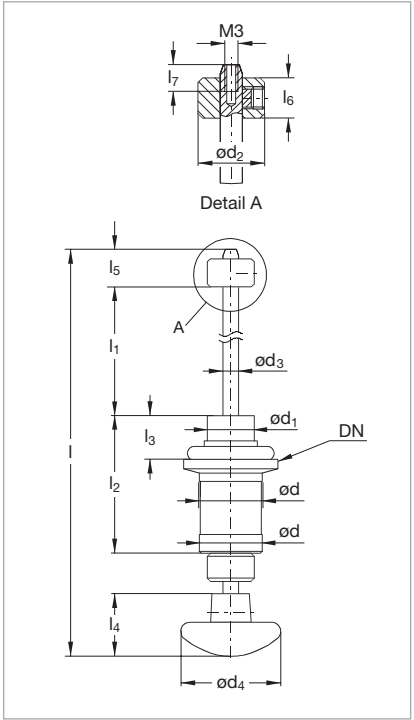


Dimensional drawing for the liquid feedthrough
FL 40K/2

Rotary / Linear Motion Feedthroughs



- Two FPM (FKM) shaft seals
- Direct push/pull and rotary actuation
- With locking ring



Dimensional drawing for the feedthroughs FNRL

Dimension Table

Feedthroughs	DN	d	d ₁	d ₂	d ₃	
FNRL 16/50	mm	16	20g6	15	15	
	in.		0.79g6	0.59	0.59	
FNRL 25/100	mm	25	25g6	23	22	
	in.		0.98g6	0.91	0.87	
		d ₄	l	l _{1 max.}	l ₂	l ₃
FNRL 16/50	mm	32	134	50	44	14
	in.	1.26	5.28	1.97	1.73	0.55
FNRL 25/100	mm	50	210	100	58	24
	in.	1.97	8.27	3.94	2.28	0.94
		l ₄	l ₅	l ₆	l ₇	
FNRL 16/50	mm	20	10.5	8	6	
	in.	0.79	0.41	0.31	0.24	
FNRL 25/100	mm	32	11	9	8	
	in.	1.26	0.43	0.35	0.31	

Technical Data**FNRL 16/50****FNRL 25/100**

Vacuum connection	DN	16 ISO-KF	25 ISO-KF
Feedthrough / seal		FPM (FKM)	FPM (FKM)
Shaft connection	mm (in.)	M 3 x 6 / dia. 5 (M 3 x 0.24 / dia. 0.20)	M 4 x 8 / dia. 8 (M 4 x 0.31 / dia. 0.31)
Stroke	mm (in.)	50.0 (1.97)	100.0 (3.94)
Shaft load			
Radial, at max. displacement	N	10	15
Torsion	Nm	2	8
Tightness, static	mbar x l/s	1 x 10 ⁻⁹	1 x 10 ⁻⁹
Operating pressure range (absolute)		1 x 10 ⁻⁸ mbar to 1 bar	1 x 10 ⁻⁸ mbar to 1 bar
Operating temperature, max.	°C (°F)	50 (122)	50 (122)
Bakeout temperature	°C (°F)	110 (230)	110 (230)
Materials exposed to process media		Stainless steel, aluminum, FPM (FKM)	Stainless steel, aluminum, FPM (FKM)
Weight	kg (lbs)	0.1 (0.22)	0.2 (0.44)

Ordering Information**FNRL 16/50****FNRL 25/100**

	Part No.	Part No.
Rotary / linear feedthrough	210 200	210 201

CF Feedthroughs

CF feedthroughs are available in a variety of field-proven designs, specifically:

- Linear motion mechanical feedthroughs
- Rotary motion mechanical feedthroughs

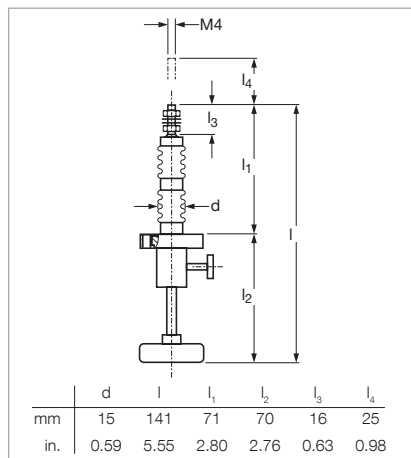
A stainless steel bellows is used to seal off the CF linear and rotary feedthroughs against the atmosphere.

All feedthroughs can be installed in the vacuum systems in any orientation.

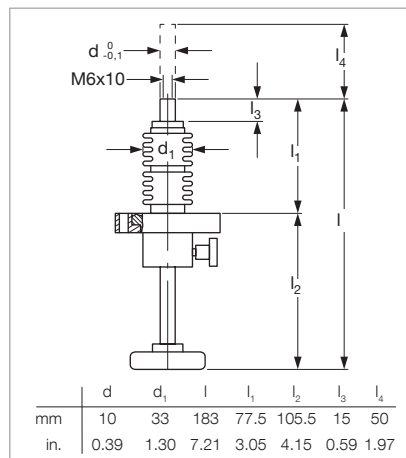
Abbreviations used in connection with feedthroughs:

- F Feedthrough
- E Electric
- L Liquid
- N Normal
- P Precision
- F Frequency
- HC Current
- HV Voltage
- L Linear
- R Rotary

Linear Motion Mechanical Feedthroughs



Dimensional drawing for the FNL 16/25 linear motion feedthrough



Dimensional drawing for the FNL 40/50 linear motion feedthrough

Technical Data

FNL 16/25

FNL 40/50

Nominal width	DN	16 CF-R	40 CF-R
Shaft connection	mm (in.)	M 4 x 16 (M 4 x 0.63)	M 6 x 10, Ø 10 (M 6 x 0.39, Ø 0.39)
Feedthrough / seal		bellows	bellows
Actuator		manually	manually
Travel	mm (in.)	25.0 (0.98)	50.0 (1.97)
Scale division	mm (in.)	5.0 (0.20)	10.0 (0.39)
Shaft load			
Radial at max. displacement	N	20	100
Axial, against vacuum	N	85	140
Axial, against atmosphere	N	100	200
Torsion	Nm (lbf-in)	0.2 (1.77)	0.5 (4.43)
Tightness	mbar x l/s	5 x 10 ⁻¹¹	5 x 10 ⁻¹¹
Pressure absolute		1 x 10 ⁻¹⁰ mbar to 2 bar	1 x 10 ⁻¹⁰ mbar to 2 bar
Bakeout temperature feedthrough	°C (°F)	300 (572)	300 (572)
Weight	kg (lbs)	0.15 (0.33)	0.75 (1.66)
Materials exposed to process media		Stainless steel	Stainless steel

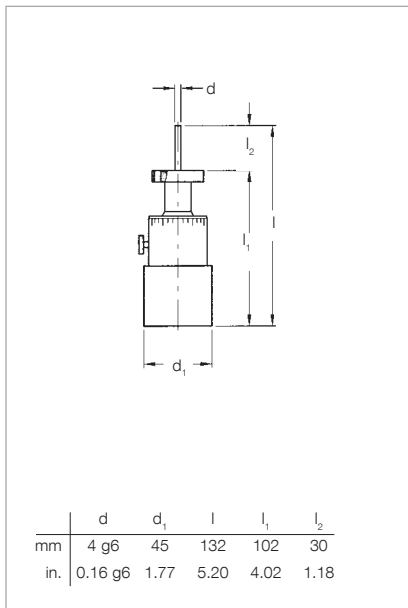
Ordering information

FNL 16/25

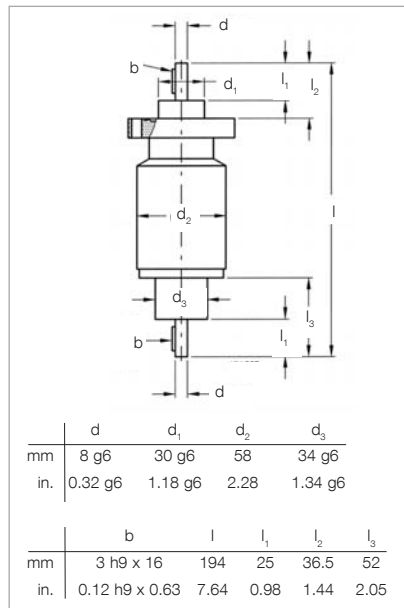
FNL 40/50

	Part No.	Part No.
Linear motion feedthrough	210 250	210 251

Linear Motion Mechanical Feedthroughs



Dimensional drawing for the FPR 16/5 N rotary feedthrough



Dimensional drawing for the FNR 40/20 N rotary feedthrough

The rotation of the drive knob is translated via a gearless drive system to the shaft on the vacuum side. This shaft runs on ball bearings which do not require any maintenance during the entire service life.

Technical Data

FPR 16/5 N

FNR 40/20 N

Nominal width	DN	16 CF-F	40 CF-F
Shaft connection	mm (in.)	dia. 4 (0.16)	dia. 8 (0.32)
Feedthrough / seal		bellow	bellow
Transferable torque			
Dynamic	Nm (lbf-in)	0.4 (3.54)	4.0 (35.40)
Dynamic, at 300 °C (572 °F)	Nm (lbf-in)	0.2 (1.77)	2.0 (17.70)
Static	Nm (lbf-in)	0.2 (1.77)	3.0 (26.55)
Rotational speed	rpm	200	1000
at max. torque	rpm	–	500
Scale division	mm	10°	–
Shaft load			
Radial	N	10	60
Axial	N	5	20
Tightness	mbar x l/s	5 x 10 ⁻¹¹	5 x 10 ⁻¹¹
Pressure absolute		1 x 10 ⁻¹⁰ mbar to 2 bar	1 x 10 ⁻¹⁰ mbar to 2 bar
Bakeout temperature	°C (°F)	300 (572)	300 (572)
Weight	kg (lbs)	0.3 (0.66)	1.5 (3.31)
Materials exposed to process media		Stainless steel	Stainless steel

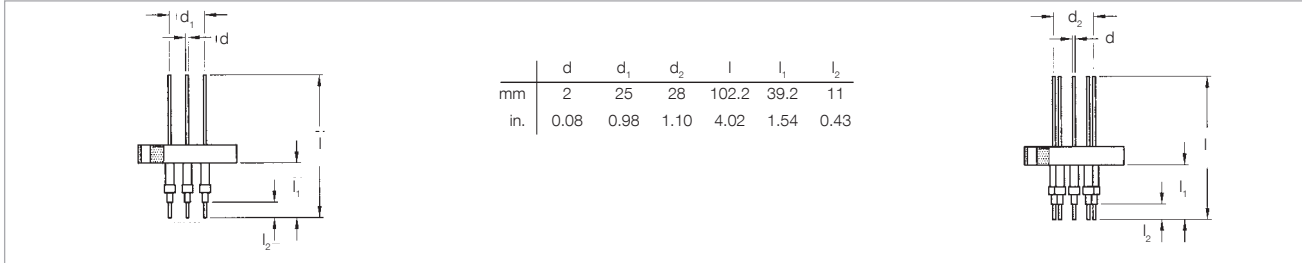
Ordering information

FPR 16/5 N

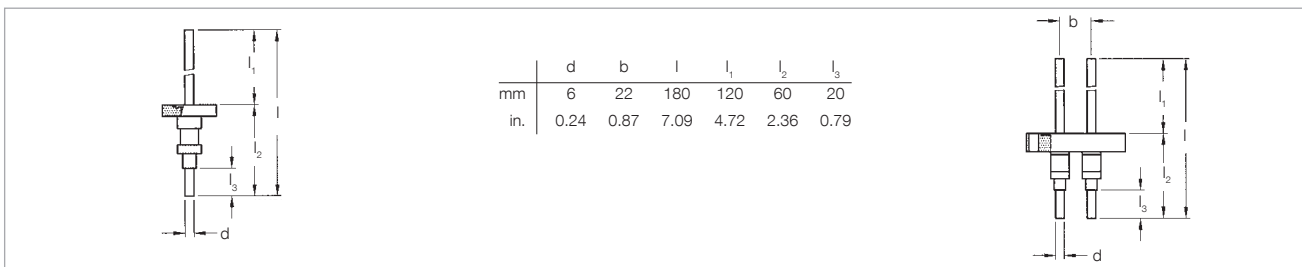
FNR 40/20 N

	Part No.	Part No.
Rotary feedthrough	210 154	210 155

Current Feedthroughs



Dimensional drawing for the current feedthrough FE 40/4 (left) and FE 40/9 (right)



Dimensional drawing for the current feedthrough FEHC 16/1 (left) and FEHC 40/2 (right)

Technical Data

FE 40/4

FE 40/9

FEHC 16/1

FEHC 40/2

Nominal width	DN	CF 40-F	CF 40-F	CF 16-F	CF 40-F
Number of feedthroughs		4	9	1	2
Number of connection pieces					
vacuum side (set)		5	2 x 5	2	2
atmospheric side (set)		5	2 x 5	2	2
Voltage per pole ¹⁾	kV	1	1	4	4
Current per pole ¹⁾	A	8	8	150	150
Bakeout temperature	°C (°F)	400 (752)	400 (752)	400 (752)	400 (752)
Temperature rise at max. current ΔT	°C/min	40	40	50	50
Tightness	mbar x l/s	5 x 10 ⁻¹¹	5 x 10 ⁻¹¹	5 x 10 ⁻¹¹	5 x 10 ⁻¹¹
Pressure absolute		1 x 10 ⁻¹⁰ mbar to 2 bar	1 x 10 ⁻¹⁰ mbar to 2 bar	1 x 10 ⁻¹⁰ mbar to 2 bar	1 x 10 ⁻¹⁰ mbar to 2 bar
Flange		Stainless steel	Stainless steel	Stainless steel	Stainless steel
Conductor		Stainless steel	Stainless steel	Copper	Copper
Insulator		Al ₂ O ₃	Al ₂ O ₃	Al ₂ O ₃	Al ₂ O ₃
Weight	kg (lbs)	0.3 (0.66)	0.4 (0.88)	0.15 (0.33)	0.45 (0.91)

Ordering information

FE 40/4

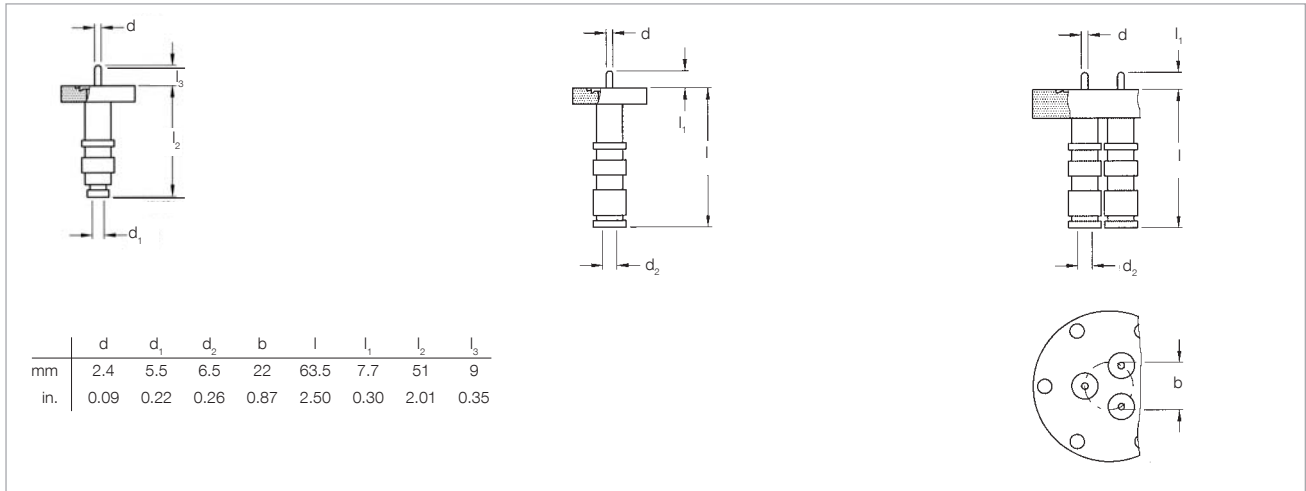
FE 40/9

FEHC 16/1

FEHC 40/2

	Part No.	Part No.	Part No.	Part No.
Current feedthrough	210 310	210 313	210 335	210 342
Connection piece, vacuum side (set)	210 312	2x 210 312	210 337	210 337
Connector, atmospheric side (set)	210 311	2x 210 311	210 336	210 336

¹⁾ Local safety regulations must be met



Dimensional drawing for the current feedthrough FEF 16/1 (left), FEHV 16/1 (middle) and FEHV 40/3 (right)

Technical Data

FEF 16/1

FEHV 16/1

FEHV 40/3

Nominal width	DN	CF 16-F	CF 16-F	CF 40-F
Number of feedthroughs		1	1	3
Voltage				
AC, 50 Hz	kV	0.35	3.5	3.5
DC	kV	0.5	5.0	5.0
Current	A	3	3	3
Frequency	MHz	150	–	–
Impedance	Ω	50 – 60	–	–
Insulation resistance at 20 °C (68 °F)	Ω	10^{+10}	10^{+10}	10^{+10}
Bakeout temperature				
with connector	°C (°F)	50 (122)	50 (122)	50 (122)
without connector	°C (°F)	400 (572) ¹⁾	400 (572) ¹⁾	400 (572) ¹⁾
Tightness	mbar x l/s	1×10^{-10}	1×10^{-10}	1×10^{-10}
Pressure absolute ²⁾		1×10^{-10} mbar to 2.5 bar	1×10^{-10} mbar to 2.5 bar	1×10^{-10} mbar to 2.5 bar
Housing, flange, conductor		Stainless steel	Stainless steel	Stainless steel
Feedthrough, seal		Al ₂ O ₃	Al ₂ O ₃	Al ₂ O ₃
Weight	kg (lbs)	0.14 (0.31)	0.14 (0.31)	0.5 (1.10)

Ordering information

FEF 16/1

FEHV 16/1

FEHV 40/3

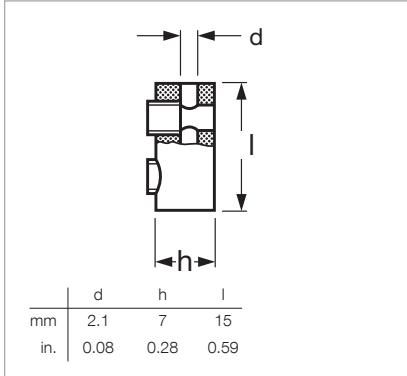
	Part No.	Part No.	Part No.
Current feedthrough	210 404	210 402	210 403
Outside plug (included in delivery)	BNC UG 88/U	MHV UG 932/U	MHV UG 932/U
Cable	RG 58/U	RG 59/U	RG 59/U

¹⁾ With elastomer seal up to 150 °C (302 °F)

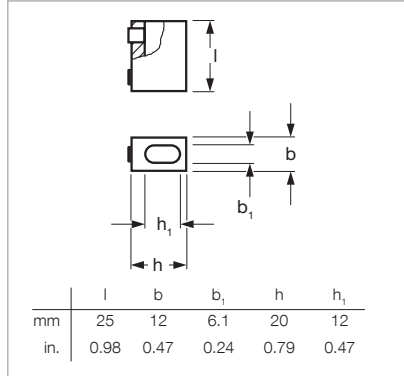
²⁾ Pressure at 400 °C (572 °F) reduced to 2 bar

Accessories for Feedthroughs

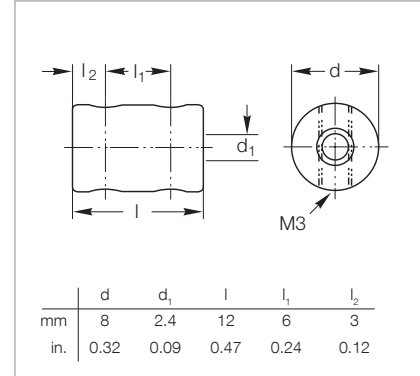
Connectors, vacuum side



Dimensional drawing for the connector used on FE 40/4 / FE 40/9



Dimensional drawing for the connector used on FE 16/1, FEHC 40/2 and FEHC 16/1



Dimensional drawing for the connector used on FEHV 16/1, FEHV 40/3 and FEF 16/1

Technical Data

Connectors Vacuum Side

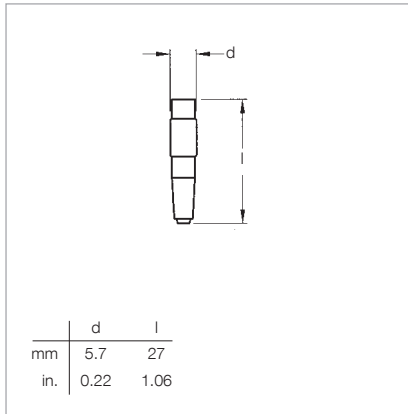
Connector for feedthrough		FE 40/4 / FE 40/9	FEHC 40/2 / FEHC 16/1	FEHV 16/1 / FEHV 40/3 / FEF 16/1
Current max.	A	12	90	13
Bakeout temperature	°C (°F)	400 (752)	400 (752)	350 (662)
Material		Stainless steel	Stainless steel	Copper

Ordering information

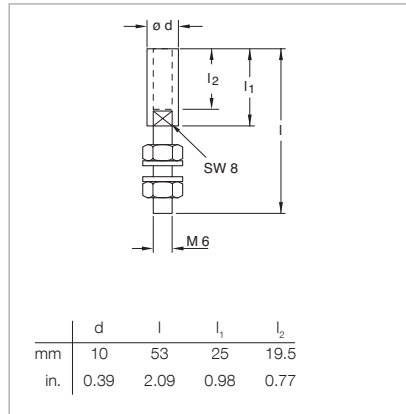
Connectors Vacuum Side

	Part No.	Part No.	Part No.
Connector, vacuum side	-	-	846 47
Connector, vacuum side (Set of 5)	210 312	-	-
Connector, vacuum side (Set of 2)	-	210 337	-

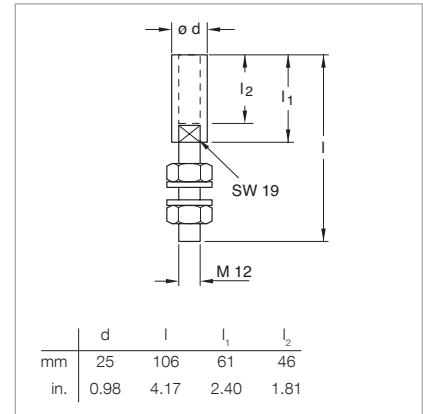
Connectors, atmospheric side



Dimensional drawing for the outside plug used on FE 40 /4 and FE 40/9



Dimensional drawing for the outside plug used on FE 16/1, FEHC 40/2 and FEHC 16/1



Dimensional drawing for the outside plug used on FEHC 40/1

Technical Data

Connectors Atmospheric Side

Connector for feedthrough		FE 40/4 / FE 40/9	FE 16/1 / FEHC 40/2 / FEHC 16/1	FEHC 40/1
Current max.	A	12	90	250
Not insulated, for use up to	V	50	50	50
Bakeout temperature	C (°F)	50 (122)	150 (302)	150 (302)
Material		gold-plated brass	silver-plated brass	silver-plated brass

Ordering information

Connectors Atmospheric Side

	Part No.	Part No.	Part No.
Connector, atmospheric side	-	-	210 339
Connector, atmospheric side (Set of 5)	210 311	-	-
Connector, atmospheric side (Set of 2)	-	210 336	-

Sales and Service

Germany

Leybold GmbH

Sales, Service, Support Center (3SC)
Bonner Strasse 498
D-50968 Cologne
T: +49-(0)221-347 1234
F: +49-(0)221-347 31234
sales@leybold.com
www.leybold.com

Leybold GmbH

Sales Area North

Branch Office Berlin
Industriestrasse 10b
D-12099 Berlin
T: +49-(0)30-435 609 0
F: +49-(0)30-435 609 10
sales.bn@leybold.com

Leybold GmbH

Sales Office South

Branch Office Munich
Karl-Hammerschmidt-Strasse 34
D-85609 Aschheim-Dornach
T: +49-(0)89-357 33 9-10
F: +49-(0)89-357 33 9-33
sales.mn@leybold.com
service.mn@leybold.com

Leybold Dresden GmbH

Service Competence Center

Zur Wetterwarte 50, Haus 304
D-01109 Dresden
Service:
T: +49-(0)351-88 55 00
F: +49-(0)351-88 55 041
info.dr@leybold.com

Europe

Belgium

Leybold Nederland B.V.

Belgisch bijkantoor

Leuvensesteenweg 542-9A
B-1930 Zaventem
Sales:
T: +32-2-711 00 83
F: +32-2-720 83 38
sales.zv@leybold.com
Service:
T: +32-2-711 00 82
F: +32-2-720 83 38
service.zv@leybold.com

France

Leybold France S.A.S.

Parc du Technopolis, Bâtiment Beta
3, Avenue du Canada
F-91940 Les Ulis cedex
Sales and Service:
T: +33-1-69 82 48 00
F: +33-1-69 07 57 38
info.ctb@leybold.com
sales.ctb@leybold.com

Leybold France S.A.S.

Valence Factory
640, Rue A. Bergès
B.P. 107
F-26501 Bourg-lès-Valence Cedex
T: +33-4-75 82 33 00
F: +33-4-75 82 92 69
marketing.vc@leybold.com

Great Britain

Leybold UK LTD.

Unit 9
Silverglade Business Park
Leatherhead Road
Chessington
Surrey (London)
KT9 2QL
Sales:
T: +44-13-7273 7300
F: +44-13-7273 7301
sales.ln@leybold.com
Service:
T: +44-13-7273 7320
F: +44-13-7273 7303
service.ln@leybold.com

Italy

Leybold Italia S.r.l.

Via Trasimeno 8
I-20128 Mailand
Sales:
T: +39-02-27 22 31
F: +39-02-27 20 96 41
sales.mi@leybold.com
Service:
T: +39-02-27 22 31
F: +39-02-27 22 32 17
service.mi@leybold.com

Netherlands

Leybold Nederland B.V.

Floridareef 102
NL-3565 AM Utrecht
Sales and Service:
T: +31-(30) 242 63 30
F: +31-(30) 242 63 31
sales.ut@leybold.com
service.ut@leybold.com

Switzerland

Leybold Schweiz AG

Hinterbergstrasse 56
CH-6312 Steinhausen
Warehouse and shipping address:
Riedthofstrasse 214
CH-8105 Regensdorf
Sales:
T: +41-44-308 40 50
F: +41-44-302 43 73
sales.zh@leybold.com
Service:
T: +41-44-308 40 62
F: +41-44-308 40 60
service.zh@leybold.com

Spain

Leybold Hispánica, S.A.

C/. Huelva, 7
E-08940 Cornellá de Llobregat
(Barcelona)
Sales:
T: +34-93-666 43 11
F: +34-93-666 43 70
sales.ba@leybold.com
Service:
T: +34-93-666 46 11
F: +34-93-685 43 70
service.ba@leybold.com

Headquarter

Leybold GmbH

Bonner Strasse 498
D-50968 Cologne
T: +49-(0)221-347-0
F: +49-(0)221-347-1250
info@leybold.com

America

USA

Leybold USA Inc.

5700 Mellon Road
USA-Export, PA 15632
T: +1-724-327-5700
F: +1-724-325-3577
info.ex@leybold.com
Sales:
T: +1-724-327-5700
F: +1-724-333-1217
Service:
T: +1-724-327-5700
F: +1-724-325-3577

Brazil

Leybold do Brasil

Rod. Vice-Prefeito Hermenegildo Tonolli,
nº. 4413 - 6B
Distrito Industrial
Jundiá - SP
CEP 13.213-086
Sales and Service:
T: +55 11 3395 3180
F: +55 11 99467 5934
sales.ju@leybold.com
service.ju@leybold.com

Asia

P. R. China

Leybold (Tianjin)

International Trade Co. Ltd.

Beichen Economic
Development Area (BEDA),
No. 8 Western Shuangchen Road
Tianjin 300400
China
Sales and Service:
T: +86-400 038 8989
T: +86-800 818 0033
F: +86-22-2697 4061
F: +86-22-2697 2017
sales.tj@leybold.com
service.tj@leybold.com

India

Leybold India Pvt Ltd.

No. 82(P), 4th Phase
K.I.A.D.B. Plot
Bommasandra Industrial Area
Bangalore - 560 099
Indien
Sales and Service:
T: +91-80-2783 9925
F: +91-80-2783 9926
sales.bgl@leybold.com
service.bgl@leybold.com

Japan

Leybold Japan Co., Ltd.

Headquarters
Shin-Yokohama A.K.Bldg., 4th floor
3-23-3, Shin-Yokohama
Kohoku-ku, Yokohama-shi
Kanagawa-ken 222-0033
Japan
Sales:
T: +81-45-471-3330
F: +81-45-471-3323
sales.yh@leybold.com

Leybold Japan Co., Ltd.

Tsukuba Technical Service Center
1959, Kami-yokoba
Tsukuba-shi, Ibaraki-shi 305-0854
Japan
Service:
T: +81-29 839 5480
F: +81-29 839 5485
service.iik@leybold.com

Malaysia

Leybold Malaysia

Leybold Singapore Pte Ltd.

No. 1 Jalan Hi-Tech 2/6
Kulim Hi-Tech Park
Kulim, Kedah Darul
Aman 09000
Malaysia
Sales and Service:
T: +604 4020 222
F: +604 4020 221
sales.ku@leybold.com
service.ku@leybold.com

South Korea

Leybold Korea Ltd.

3F. Jellzone 2 Tower
Jeongja-dong 159-4
Bundang-gu Sunnam-si
Gyeonggi-do
Bundang 463-384, Korea
Sales:
T: +82-31 785 1367
F: +82-31 785 1359
sales.bd@leybold.com
Service:
623-7, Upsung-Dong
Cheonan-Si
Chungcheongnam-Do
Korea 330-290
T: +82-41 589 3035
F: +82-41 588 0166
service.cn@leybold.com

Singapore

Leybold Singapore Pte Ltd.

42 Loyang Drive
Loyang Industrial Estate
Singapore 508962
Singapore
Sales and Service:
T: +65-6303 7030
F: +65-6773 0039
sales.sg@leybold.com
service.sg@leybold.com

Taiwan

Leybold Taiwan Ltd.

No 416-1, Sec. 3
Chunghsin Rd., Chutung
Hsinchu County 310
Taiwan, R.O.C.
Sales and Service:
T: +886-3-500 1688
F: +886-3-583 3999
sales.hc@leybold.com
service.hc@leybold.com



www.leybold.com